

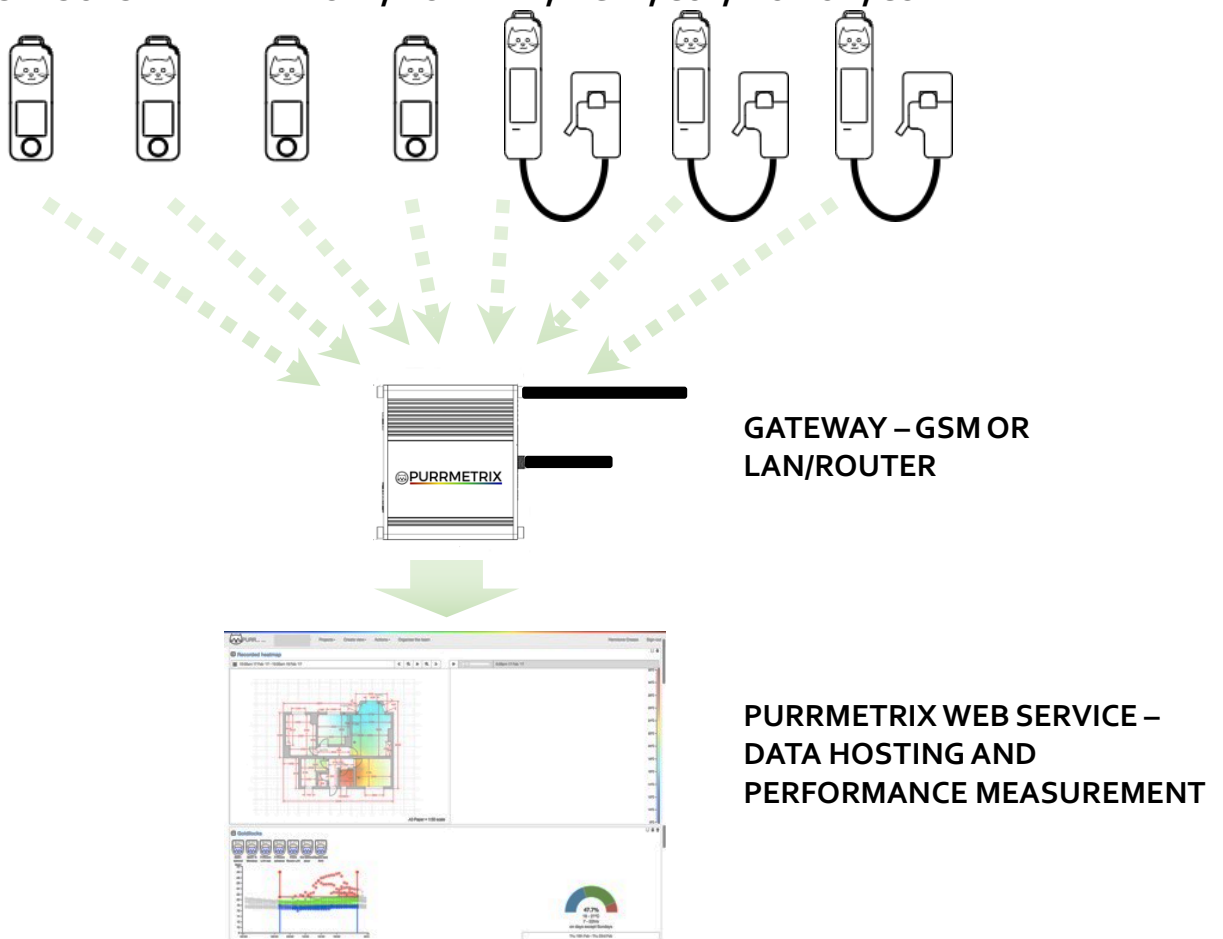
DATASHEET

PURRMETRIX CURRENT SENSOR (PMTX01012801)

AN INTRODUCTION TO PURRMETRIX

The Purrmatrix monitoring system provides a flexible and accurate way to collect environmental and energy data from housing and commercial buildings. An array of dedicated sensors collect data on different metrics, which is transmitted wirelessly to a gateway unit and back to the Purrmatrix platform.

SENSORS – TEMPERATURE, HUMIDITY, LIGHT, CO₂, MOTION, CURRENT



Purrmatrix tools are fast to install, accurate, and provide powerful evidence of the performance of your buildings. They are used in a range of applications in homes, offices and schools, including:

- Heat loss calculations
- Fault finding and troubleshooting
- Post occupancy evaluation
- Ventilation rate monitoring
- Comfort and fuel poverty assessments
- Heating control and energy efficiency audits



DATASHEET

PURRMETRIX CURRENT SENSORS (PMTX01012801)

Purrrmetrix current sensors are ideally suited to measuring electricity consumption in housing, either at meter (whole home consumption) or on individual circuits.

Like all Purrrmetrix sensors they have a high time tick, reporting data every minute to the gateway. Multiple sensors can report to a single gateway, provided they are within range (typically within 40m of the gateway).

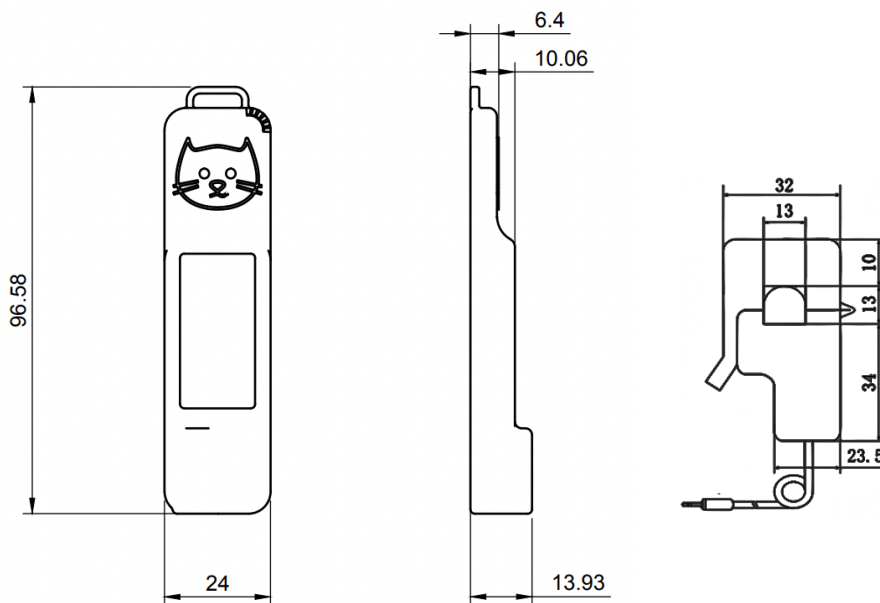
They report data to the web application where it is easy to analyse or export into your own software. Small in size and easy to retrofit, they can be installed by a householder for measuring consumption at metering tails, or by a suitably qualified person for individual circuits.

FEATURES

- Measures multiple circuits or single circuit through one gateway
- Small footprint
- Continuous monitoring
- Cloud connected – no wifi needed

- Allows high resolution energy monitoring both in time and at circuit level
- No power socket needed near sensors
- 2 year battery life

DIMENSIONS



DATASHEET

GENERAL SPECIFICATIONS & PERFORMANCE

Operating temperature	-10°C to +60°C
Frequency range	50Hz
Max current	50 A (RMS)
Window diameter for clamp	13 mm
Data resolution	Sample 160 ms every 30 seconds, update every 60 seconds
Sensor / current clamp interface	3.5 mm audio jack
Compatible with	Single phase 230 volt (RMS) supply, -6% to +10%
Power supply (sensor)	Battery (coin cell, CR2032)
Battery lifetime (sensor)	2 years
Power consumption (gateway)	<5W
Accuracy (on current)	Typically +/- 2.5%

SYSTEM REQUIREMENTS

These sensors are compatible with Purrrmetrix gateway products PMTX020064 (GSM Gateway) which does not require any wifi on site or PMTX020017 (Ethernet Gateway) which delivers data to the Purrrmetrix service by connecting to the ethernet port on a router or local area network.

Gateways require power but do not need to be in proximity to the sensor (typical range is around 40m between sensor and gateway). Each gateway can support up to 100 sensors in range.

The Purrrmetrix web service hosts data from multiple sensors. For a full range of services, including visibility of all data, an annual service fee is charged per sensor. In addition, GSM gateways require a SIM for connection, for which data charges are payable.

SUPPORT AND ENQUIRIES

For a demonstration or further information, please get in touch with us at Purrrmetrix.

info@purrrmetrix.com

01223 967301

